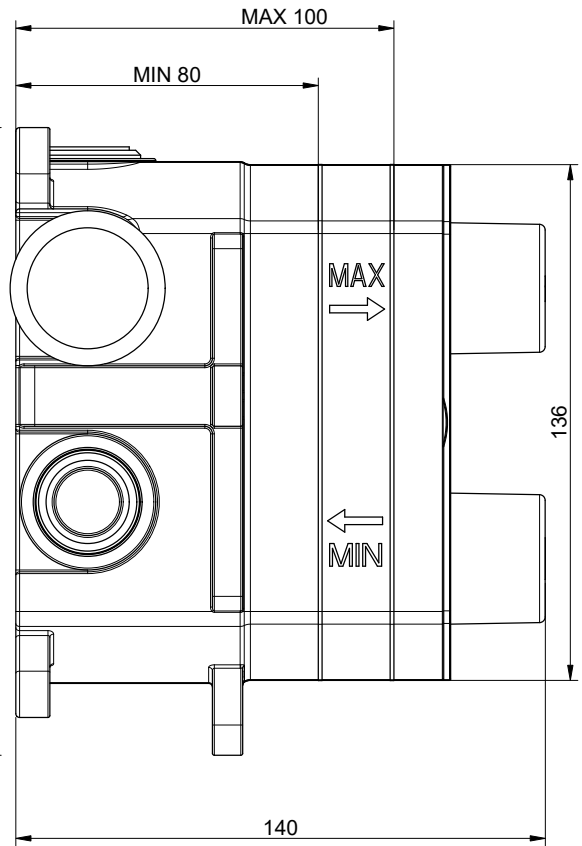
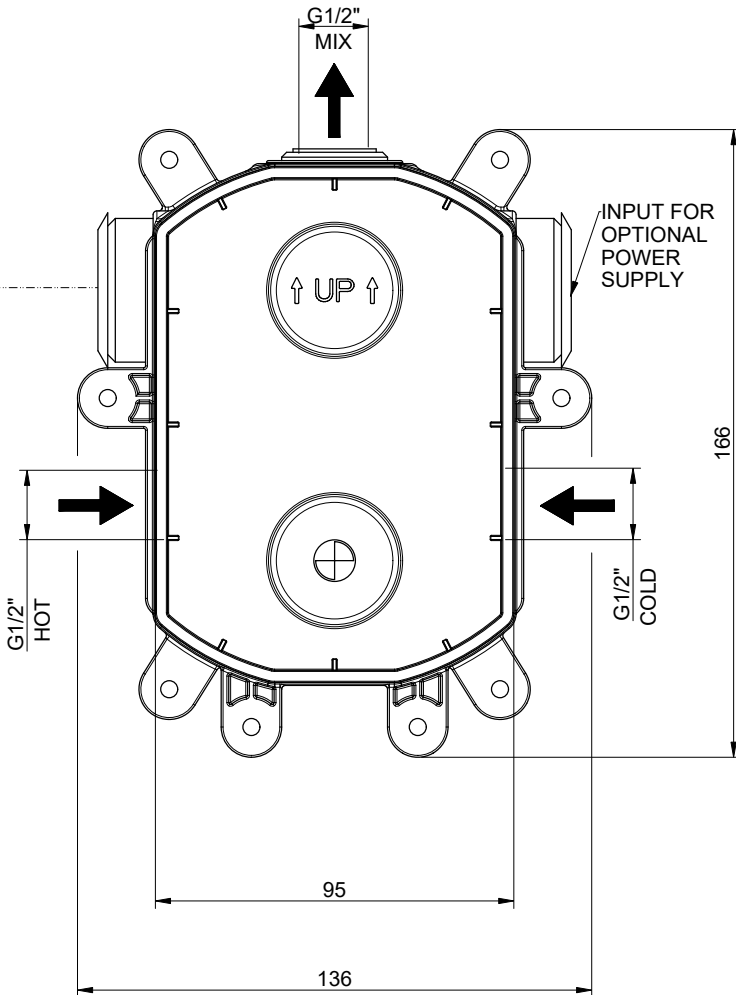
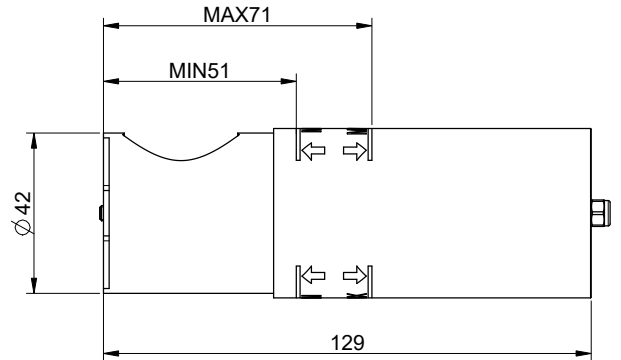
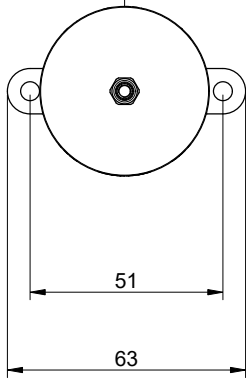


FLEXIBLE ELECTRICAL CONDUIT LMAX=1500MM



GESSI

PARTI INCASSO 44679

PARTE INCASSO PER COMANDI REMOTI E BOCHE DA PARETE

Formato **A4**



Dis.: GPF446790000G000

Gessi S.p.A. Parco Gessi, 13037 Serravalle Sesia (Vercelli) Italy Tel. 0039 0163 454111 Fax. 0039 0163 453150 www.gessi.com e-mail: gessi@gessi.it

This drawing by its legislation cannot be disclosed or reproduced without a written authorization released by GESSI S.p.A. - 2019 Copyright® GESSI S.p.A.